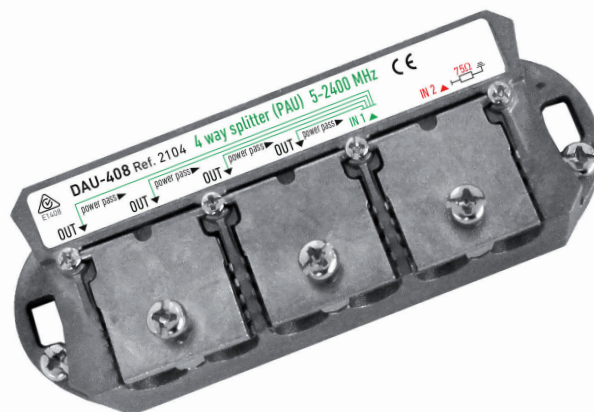
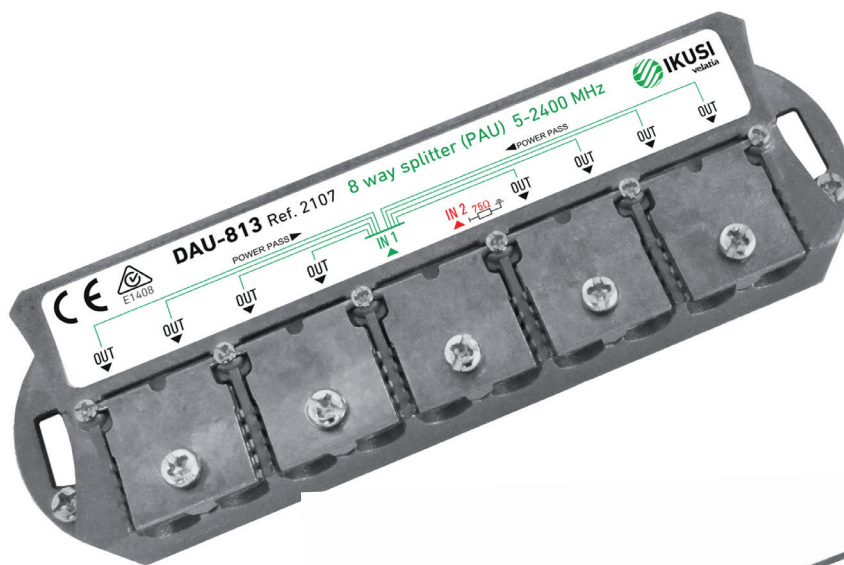


Indoor splitters fully shielded 5-2400 MHz

Passive fast connection elements for distribution of DTT and SAT signals

DAU Series



Installs without connectors



2, 3, 4, 5, 6 and 8 way splitters

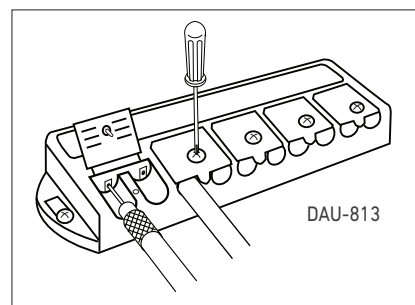


Low insertion loss

General Features

MODEL		DAU-204	DAU-307	DAU-408	DAU-510	DAU-612	DAU-813
REF.		2102	2103	2104	2105	2106	2107
Number of outputs		2	3	4	5	6	8
Frequency range		MHz 5 - 2400					
Insertion loss	5-862 MHz	≤4.3	≤6.7	≤8.1	≤11	≤11.3	≤12.5
	950 -1550 MHz	≤4.5	≤7.5	≤9.1	≤12	≤12	≤13.8
	1551-2150 MHz	≤5.5	≤9	≤10.4	≤13.5	≤14	≤15.4
	2150-2400 Mhz	≤6	≤10	≤11	≤15	≤15.5	≤17
Outputs isolation	5-300 MHz	≥20	≥28	≥28	≥28	≥28	≥28
	301-862 MHz	≥20	≥25	≥26	≥26	≥26	≥28
	950-2400 Mhz	≥18	≥22	≥23	≥23	≥23	≥24

- 2, 3, 4, 5, 6 and 8 way shielded splitters
- Fast and safe connection without the need for connectors
- Low insertion loss
- High quality zamak chassis
- Grounding facilities



Installation example

